

WL-21022 LOCATOR-S1



DESCRIPTION

The Locator-S1 is a digital hydro acoustic locator device with an internal GPS based time sync module.

The Locator-S1 does not require tether integration for top-side communication. It only requires external power 10-18V to be provided from the underwater vehicle.

Some Locator-S1 attributes can be configured using an integrated I2C interface. This configuration is optional and not required for normal operation.

Before deployment in water, the Locator-S1 needs to achieve a GPS lock. The integrated status-LED shows the condition of the GPS lock. If no GPS signal is available (operation inside buildings etc.), a manual time-sync can be achieved following specified procedures.

BENEFITS

- GPS based sync removes all tether requirements enabling very easy integration with any ROV.
- Extremely small size making it perfect for even the smallest underwater vehicles.
- Highly robust operation in areas with reflections (shallow water, around installations etc.)

CONTENTS

- Locator-S1 with default 1 meter cable, no connector.

FAMILY

The Locator-S1 is part of the Water Linked Underwater GPS System.

WL-20118 MASTER-D1

The Master D1 is the digital position computing board.

The Locator-S1

time-syncs with the

Master-D1 using GPS on both sides. The

Master-D1 connects to your PC. The Master-

D1 is a requirement in a positioning system.



WL-21005 RECEIVER-D1

The Receiver-D1 is

a digital hydro

acoustic receiver

that is designed to

receive the signal

from a Water Linked Locator. A minimum of

3 Receiver-D1s are required to get the

position of a Locator-S1.



MECHANICAL

Depth rating	: 300 m
Device length	: 76,6 mm
Device diameter	: 30 mm
Device weight in air	: 52 g
Operating temperature	: -10 to 60 °C

ELECTRICAL

Input voltage	: 10-18 V
Input current	: 60 mAh at 12V

ACOUSTIC

Range	: 100 meter
Directivity	: Omnidirectional

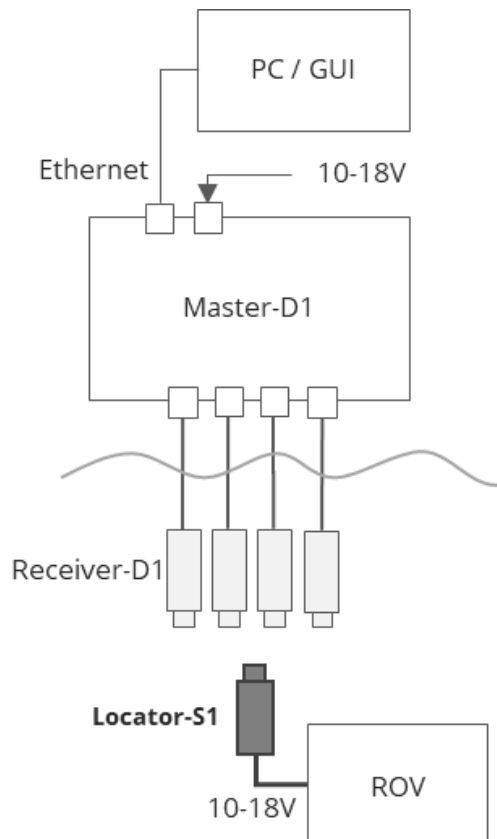
CONNECTORS

Cable type	: PUR 6,3 mm
Connector	: None
Wires	: 2x power, 2x I2C

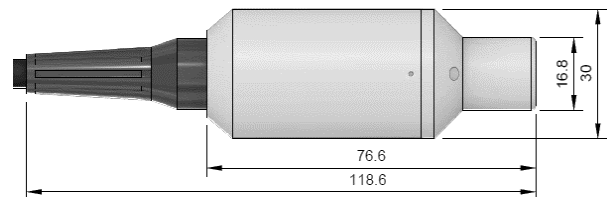
APPROVALS

RoHS compliant
CE

BLOCK DIAGRAM



DIMENSIONS



ORDERING GUIDE

PART NUMBER	WL-21022 - 01
CABLE LENGTH	
001	1 m
005	5 m
010	10 m

Water Linked reserves all rights to this document and the information contained herein. Products, names, logos and designs described herein may in whole or in part be subject to intellectual property rights. The information contained herein is provided "as-is". No warranty of any kind, either expressed or implied, is made in relation to the accuracy, reliability, fitness for a particular purpose or content of this document. This document may be revised by Water Linked at any time. For most recent documents, please visit www.waterlinked.com
Copyright © 2018, Water Linked.